

# Koyo®

## Incremental Encoder Series TRD-GN

### Operation Manual

Thank you for purchasing this series TRD-GN Incremental Encoders. Please read this Operation Manual carefully before applying this product.

PLEASE KEEP THIS MANUAL IN A SAFE PLACE!

#### KOYO ELECTRONICS (WUXI) CO.,LTD.

Add: 21st Floor, Building 1, No.599, Jianzhuxi Road, Binhu District, Wuxi, Jiangsu, P.R.China  
Pc: 214072 Tel: (0510)85167888 Fax: (0510)85161393 KEW-M8175B-E

### Safety Consideration

**Warning** This indicates contents which can cause large accidents leading to loss of life or severe injury when the indication is disregarded and wrong handling is executed.

**Caution** This indicates contents which can cause injury or material damage when the indication is disregarded and wrong handling is executed.

Explanation of the pictograms

- This symbol indicates a general prohibition.
- This symbol indicates a compulsory item or an instruction.

#### [Operating environment and conditions]

**Warning**

- Do not use in a combustible or explosive atmosphere. Otherwise personal injury or fire may be caused.
- Do not use this product for applications related to human safety. Use is assumed in an application where an accident or incorrect use will not immediately cause danger to humans.

#### [Operating environment and conditions]

**Caution**

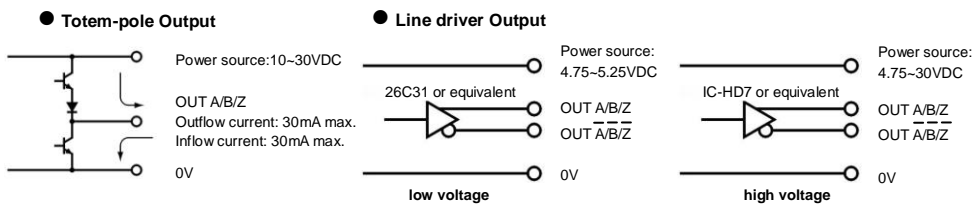
- Use and store the equipment within the scope of the environment (vibrations, impact, temperature, humidity, etc.) specified in the specifications. Otherwise fire or product damage may be caused.
- Understand the product first before use it.

#### [Installation and wiring]

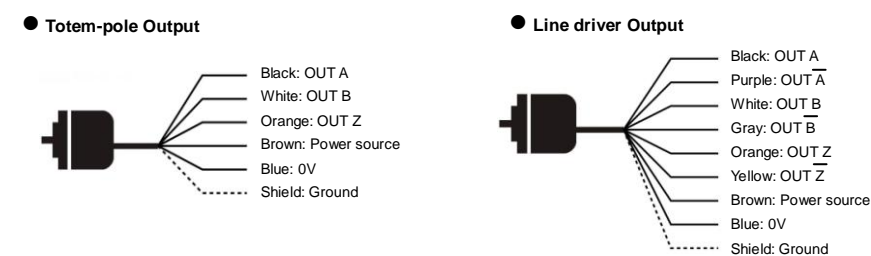
**Warning**

- Use only with the power supply voltage listed in the specifications. Otherwise fire, electric shock, or accidents may be caused.
- Use only with the wiring and layout specified in the specifications. Otherwise fire, electric shock, or accidents may be caused.
- Do not apply any kind of stress to the wires. Otherwise electric shock or fire may be caused.

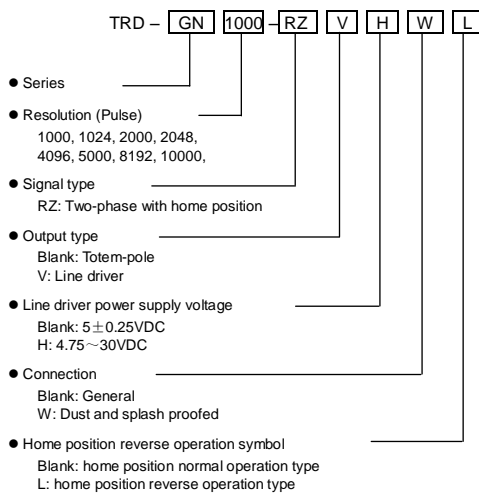
### Output circuit



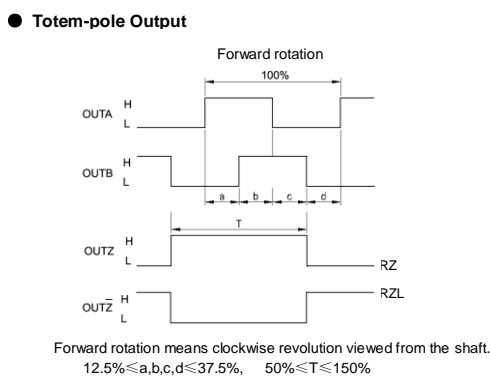
### Connection



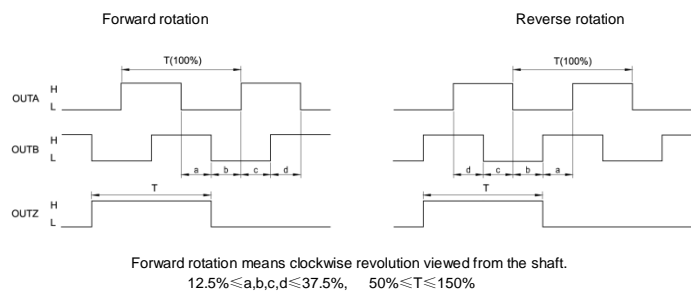
### Composition of model number



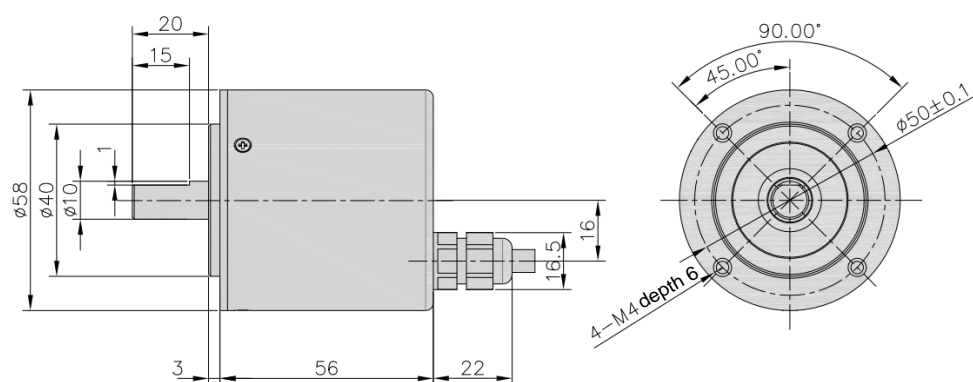
### Output signal timing chart



#### Line Drive Output



### External dimensions



### Mechanical specifications

Starting torque (+20°C)	General: ≤0.01N·m
Shaft moment of inertia	Dust and splash proofed: ≤0.04N·m
Allowable shaft load	Radial: 100N
	Axial: 50N
Max. allowable rotation speed	5000rpm
Service life of bearing	1.2×10 <sup>9</sup> revolutions (calculated value at the maximum load)
	Material: Oil-proofed PVC (with shielded cable)
Cable	External diameter: Approx.6.0mm
	Length: 2m
	Nominal cross-sectional area: Totem-pole output(5-core): 0.3mm <sup>2</sup> , Line driver output(8-core twisted pair): 0.2mm <sup>2</sup>
Weight (without cable)	General: approx.313g
	Dust and splash proofed: approx.320g

### Environmental requirements

Ambient temperature	Operation temperature: -10 ~ +70°C
	Storage temperature: -25 ~ +85°C
Ambient humidity	35~85%RH (without condensation)
Withstand voltage	AC500V 1minute *Note 1
Insulation resistance	≥50MΩ (Excluding shield between power supply, signal wire and case.)
Vibration resistance	Durable for 1h along 3 axes at 10 to 55Hz with 0.75mm amplitude
Shock resistance	11ms with 490m/s <sup>2</sup> applied 3 times 3 axes, total 18 times
Protection construction	General: IP50 dust and splash proofed: IP65

Note1: Shield wire is connected to the encoder body. The enclosure is connected with 0V wire through a 630V 0.01μF capacitance.

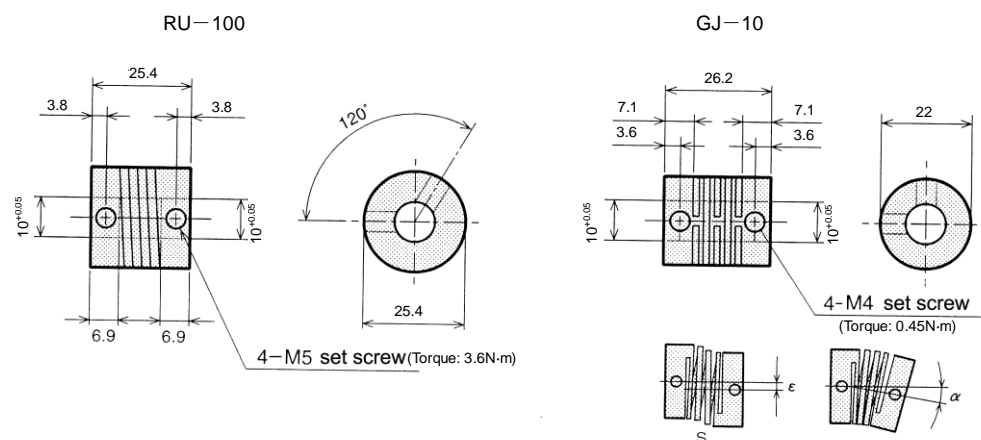
### Electrical specifications

Power supply	Output type	Totem-pole output		Line driver output	
	Power supply voltage	RZ: 10~30VDC	RZV: 4.75~5.25VDC	RZVH: 4.75~30VDC	
Allowable ripple		≤3%rms			
Current consumption		≤100mA (without load)			
Signal format		Two-phase A and B+Phase Z			
Max. response frequency		100kHz	200kHz		
Electric Max. allowable speed		(Maximum response frequency/Pulse)×60 (The encoder can not respond to revolution faster than the electric maximum allowable speed.)			
Duty ratio		50%±25%			
Phase Shift		25%±12.5%			
Index signal width		100%±50%			
Output	Rise and Fall time	2μs Max. (Cable length: 2m, output current: 20mA (Resistance load))			
	Output type	Totem-pole output	Line driver output (26C31 or equivalent)	Line driver output (IC-HD7 or equivalent)	
	Output voltage	H-level voltage	≥(Power source voltage-4V)		
	L-level voltage	≤2.5V (output current: 20mA (resistance load))			
Output current		≤0.5VDC (output current: 20mA (resistance load))		≤30mA	

### Cautions for use

- Do not wire the cable in parallel with other power lines and do not share a duct with other cables.
- Use capacitors or surge absorption elements to remove the sparks caused by relays and switches in the control panel as far as possible.
- Be sure to connect all wires properly, as wrong wiring can damage the internal circuitry.
- Erroneous pulses may be caused at the time of power ON and power OFF. After power ON, wait for at least 0.5 sec before use.
- Use a specified coupling for connecting the encoder shaft and the shaft of a machine to be controlled. Do not squeeze the shaft into the coupling.
- The service life of the bearing is largely affected by the amount of load to the shaft. Try to reduce the load as much as possible.
- Do not disassemble the product. Do not expose the product for a long time to water, even if it is a dust-resistant, jet-proof type. Wipe off any water getting onto the product.
- As the rotary encoder is composed of precision parts, its function will be impaired when it is subjected to shocks. Use sufficient care for handling and mounting.

### Options



Type No.	Material	α	ε	s
RU-100	Aluminum alloy (7075)	5° MAX	0.25mmMAX	0.25mmMAX
GJ-10	Glass-fiber reinforced polyacetal resin	5° MAX	0.5mmMAX	0.12mmMAX